

# FRANKTON - REMARKABLES - WYE CREEK 33kV

Issue AE		
05/06/26		
BY	CKD	APPD
DCH	MGB	DAT

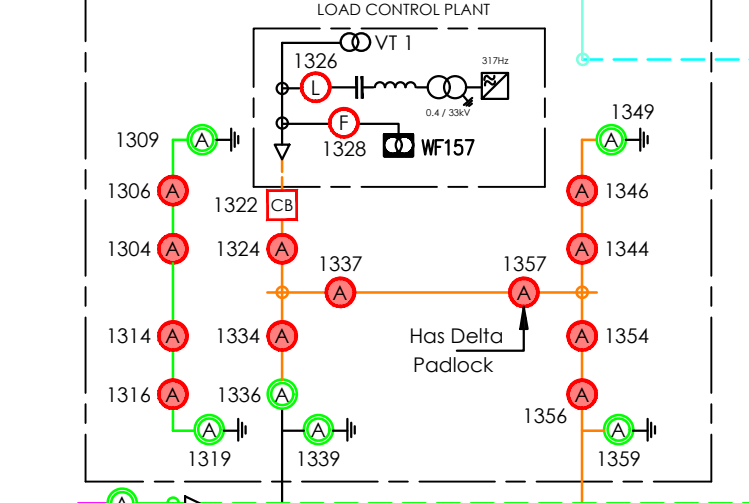
Cromwell-Frankton No.2

Cromwell-Frankton No.1

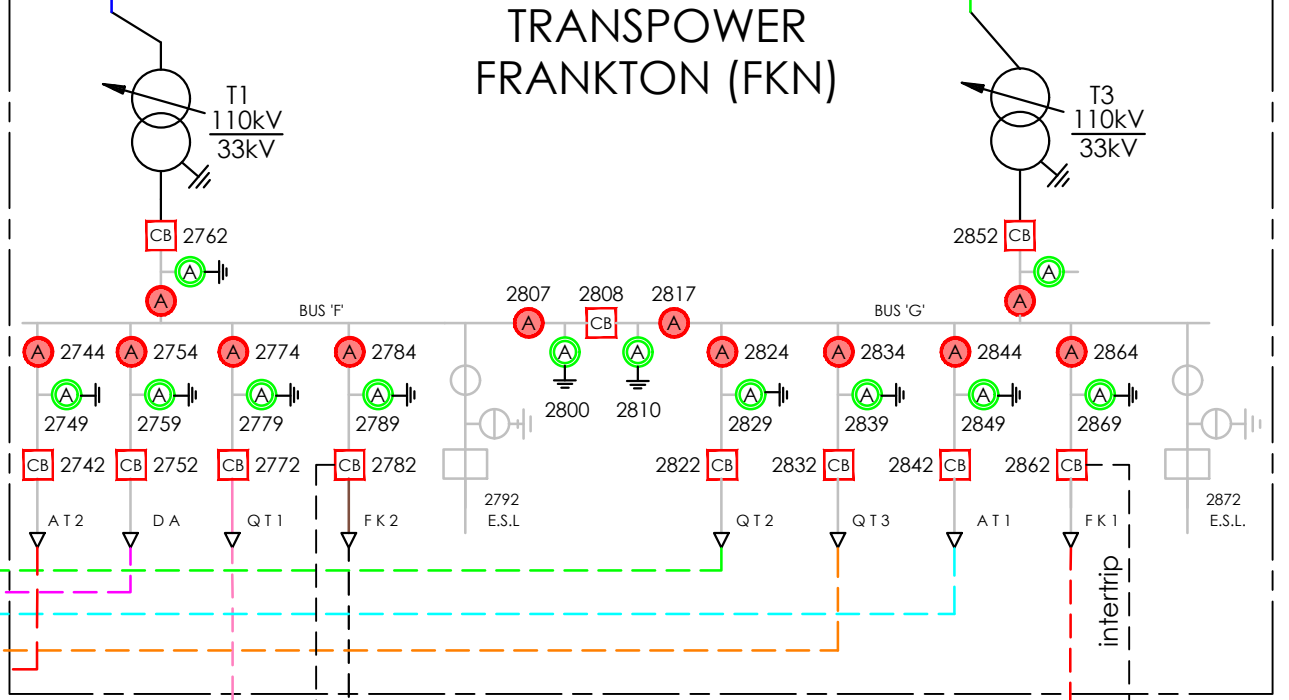
Lake Hayes

Shotover Country

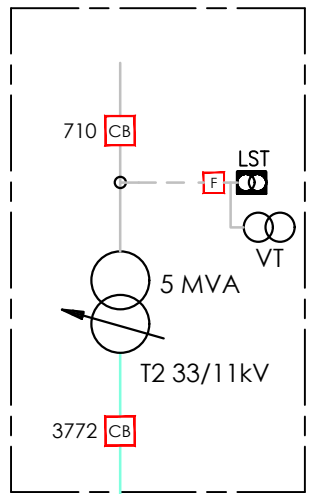
## FRANKTON TAKEOFF AREA (FTOA)



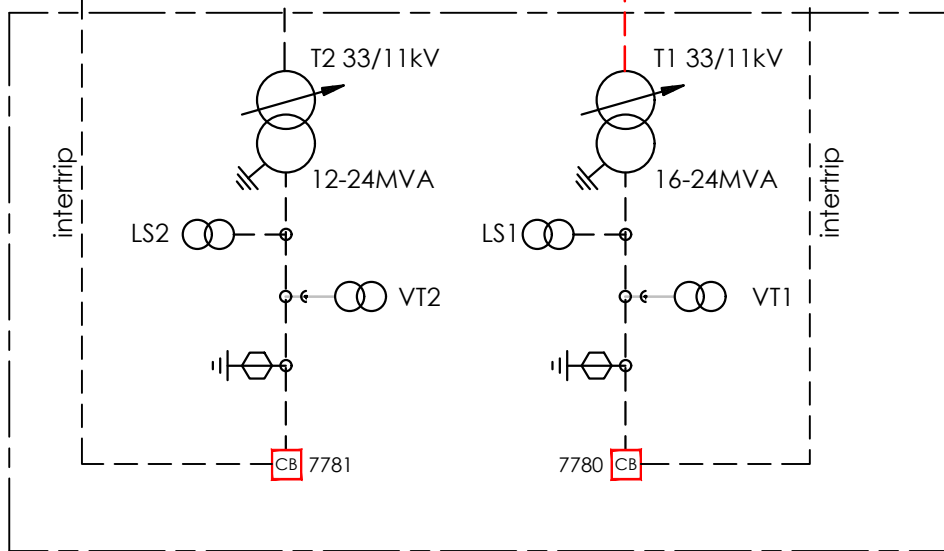
## TRANSPOWER FRANKTON (FKN)



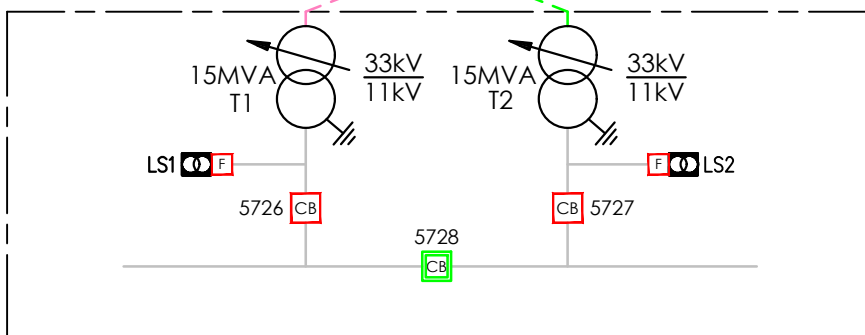
## REMARKABLES (REMK)



## FRANKTON (FRAN)



## COMMONAGE (COMM)



## WYE CREEK (YCRK)

